



SELF HIRE CONTRACT, PDI & CONDITION FORM

Vehicle Registration: _____

When minimum hours are quoted, these refer to daily minimums when weekly rates are quoted for self drive hires, these refer to 5 (Five) day working week for trucks. Self-propelled and narrow aisled access platforms, trailer platforms are charged on a 7 (Seven) day week, excess days will be charged pro rata. All plant is hired according to "CPA conditions of hire" (Copy's Available on Request) unless otherwise agreed the hirer is responsible for insuring against liability under clauses 8 and 13 the hire office must be notified by telephone or in writing of termination of hire failure to do so may result in the continuation of hire in all cases hire duration must not exceed 90 days.

Acceptance of plant on site is deemed acceptance of the above conditions.

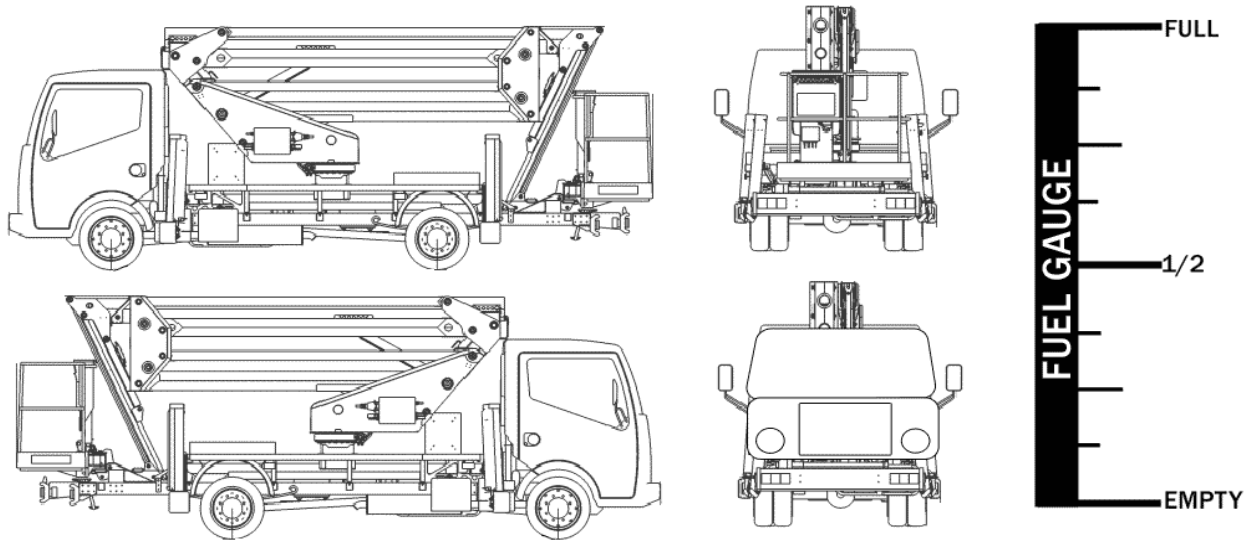
Overtime rates are applicable outside normal working hours in excess of the minimum hire (this includes night work and all day Saturday and Sunday)

TRUCK	OK	DEFECT
Levels		
Tyres and Wheel Bolts		
Brakes		
Lights		
Others		

ACCESS PLATFORM	OK	DEFECT
Emergency Procedures		
Jack Leg Sensor & Limit Switches		
Maximum Outreach Test		
Basket Limit Tilt		
Other Functions		

Loler Test Due Date _____

Pre Delivery

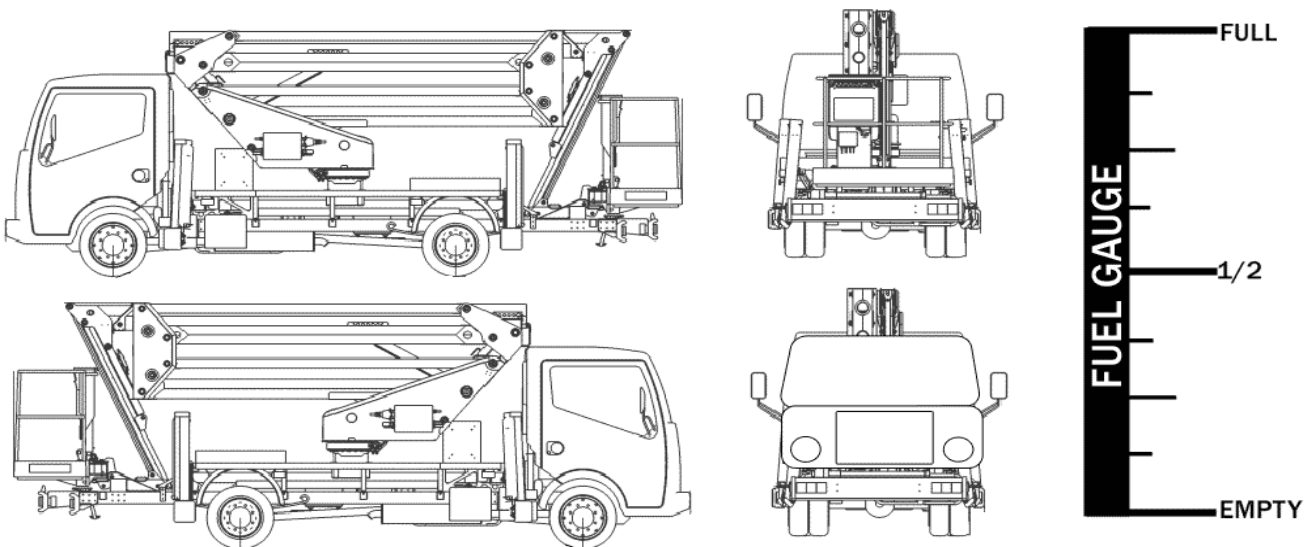


Mileage _____

Truck Body (Damages identified in drawings)

1 _____ 2 _____ 3 _____

Off Hire



Mileage _____

Truck Body (Damages identified in drawings)

1 _____ 2 _____ 3 _____



Other Equipment Hired out with Vehicle

(This will be charged if missing on return)

Sole Pads _____ Cones _____ Spare Wheel _____ Hazard Equipment _____

Company Name _____ Time _____ Date _____

Pre Hire _____

PDI Signature Eagle Access/Cherry Picker Hire UK.com _____

Customer Name _____ Signature _____

On Return (Off Hire) _____

Off Hire Eagle Access /Cherry Picker Hire UK.com Signature _____

Customer Name _____ Signature _____

Driver Name _____ Licence Number _____

Driver Contact Number _____

Additional Notes: