

B230 HP PRO 3.5t Truck Mounted Access Platform

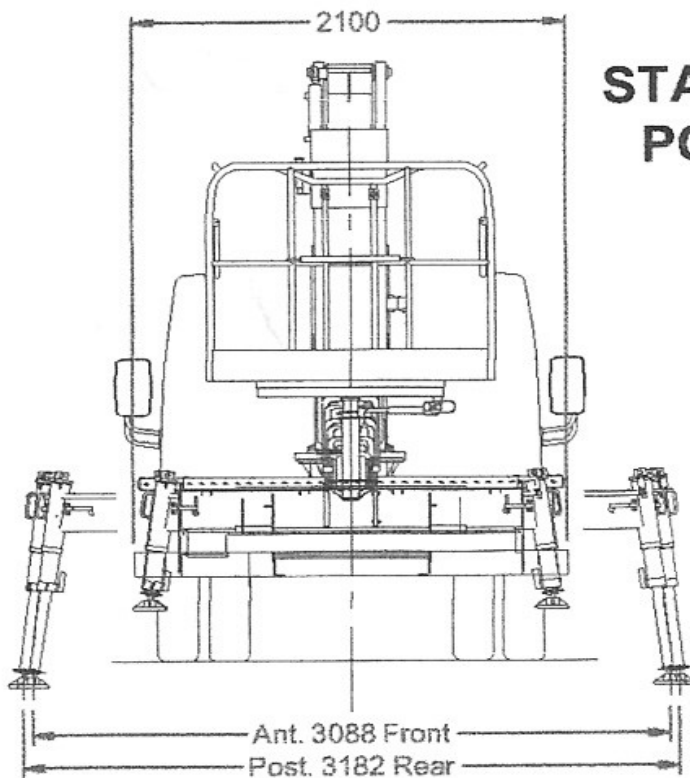
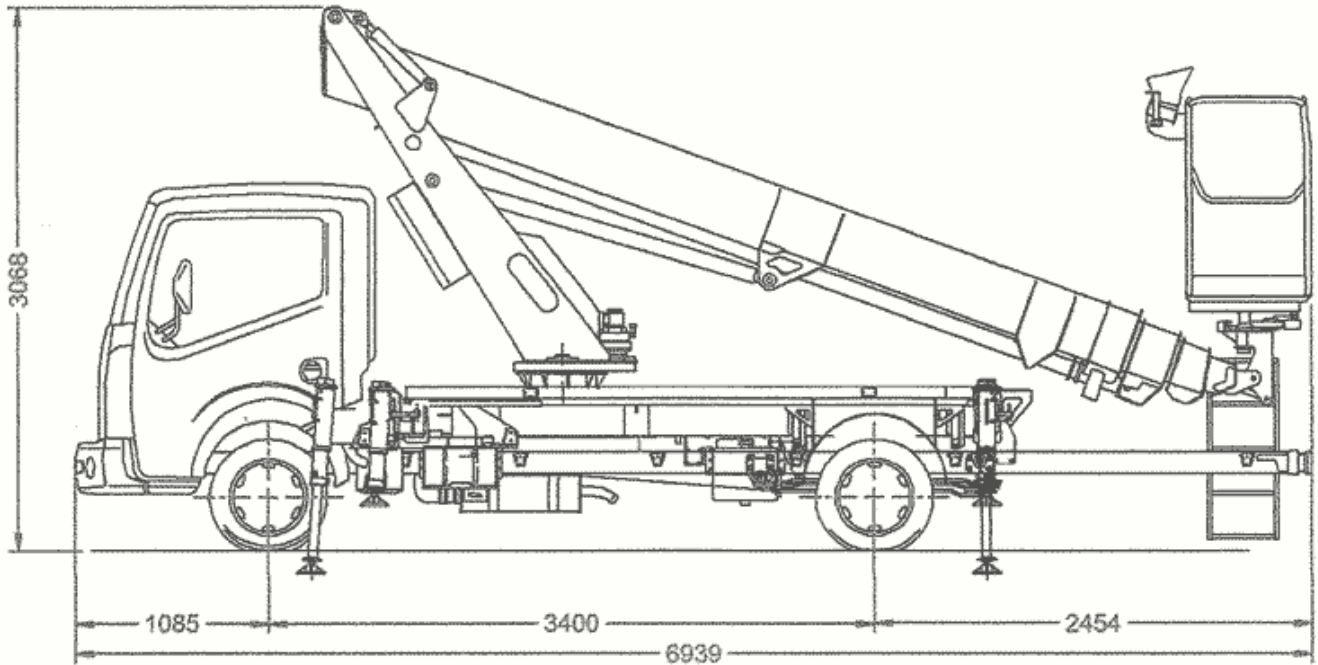


Features

This model B lift telescopic boom and with its zero tail swing and light weight chassis it makes it ideal for working in town centres and pedestrianised areas. It is very popular with Tree Surgeons, Roofers, Pest Prevention, Surveyors, Sealed unit fitting and General Building Maintenance.

Due to it being under the 3.5t weight it can be driven on a standard car licence, on self hire it can be hired by any driver with a full driving licence and over the age of 18yrs, (Insurance excess varies depending on age of driver.) As with all of our equipment it is hired under CPA terms and conditions available online or by email if requested.





**STABILIZERS
POSITION**



Specification

- ⌚ Telescopic boom (Main Boom +3 extensions)
- ⌚ Slewing turret 440 degrees non continuous on ball bearing
- ⌚ Proportional electro-hydraulic controls from basket
- ⌚ Ground proportional electro hydraulic remote control with 5m cable
- ⌚ Engine stop and start from basket
- ⌚ Anti slip aluminium flat deck
- ⌚ Aluminium basket dimensions 1400x700x1100mm
- ⌚ Electronic rotating basket 60 right 60 degrees left
- ⌚ Auto basket levelling by hydraulic parallelogram
- ⌚ Electronic outreach limiting device with double board for cross checking automatic variable outreach depending on weight in basket
- ⌚ Working range automatically limited with outriggers extended only on one side of the truck 180 degrees left and right
- ⌚ Working range with outrigger not extended for narrow jacking
- ⌚ 4x electronic ground pressure sensors on hydraulic stabilizers
- ⌚ Electric Socket 230c ac ce in the basket
- ⌚ Buzzer indicating PTO engaged
- ⌚ Hour meter on truck cabin